

Mini DomiLED

With the intense colors that seem to glow with energy and its significant brightness, Mini DomiLED white LED is a highly reliable design device. Its dynamic nature makes it perfect choice for lighthing applications, office and home applications and standard industrial applications.



Features:

- > High brightness surface mount LED.
- > Based on InGaN technology.
- > 120° viewing angle.
- > Small package outline (LxWxH) of 2.0 x 1.8 x 1.3mm.
- > Qualified according to JEDEC moisture sensitivity Level 2.
- > Compatible to both IR reflow soldering.
- > Environmental friendly; RoHS compliance.
- > Superior Corrosion Resistant.
- > Compliance to automotive standard; AEC-Q102.



Applications:

- > Automotive: interior applications, eg: switches, climate control system, dashboard, etc.

Optical Characteristics at Tj=25°C

Part Ordering Number	Viewing Angle°	Luminous Intensity @ IF = 20mA IV (mcd) <i>Appx. 1.1</i>		
		Min.	Typ.	Max.
DFZB-HZKG-VW1-1J3L	120	715.0	900.0	1400.0
DFZB-HZKG-V2W-4J8L	120	900.0	1125.0	1800.0

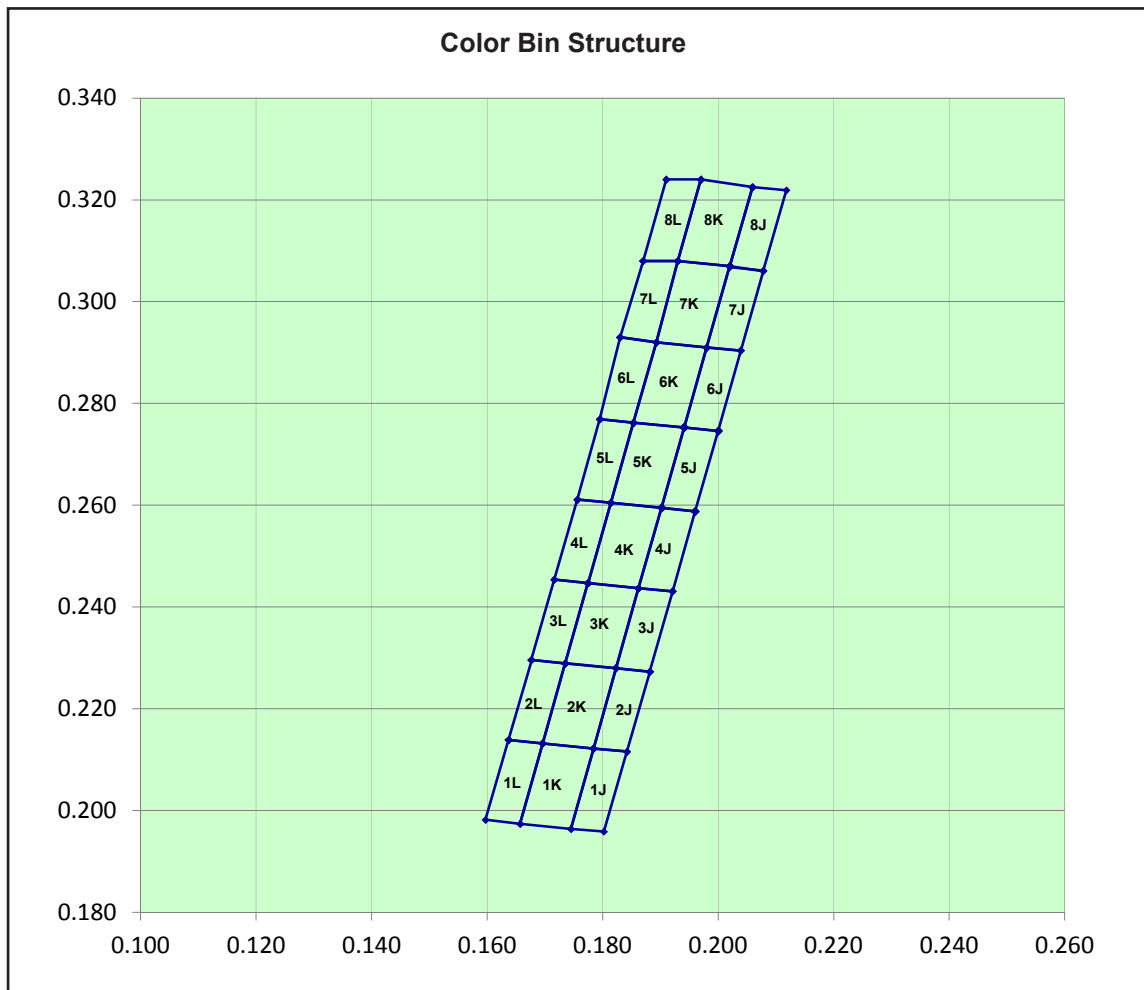
Electrical Characteristics at Tj=25°C

Part Number	Vf @ If = 20 mA <i>Appx. 3.1</i>		
	Min. (V)	Typ. (V)	Max. (V)
DFZB-HZKG	2.7	3.0	3.3

Absolute Maximum Ratings

	Maximum Value	Unit
DC forward current	50	mA
Peak pulse current; (Ts=55°C, tp<=100µs , Duty cycle=0.03)	100	mA
Reverse voltage	Not for reverse bias	V
ESD threshold (HBM)	8000	V
LED junction temperature	125	°C
Operating temperature	-40 ... +115	°C
Storage temperature	-40 ... +125	°C
Power dissipation (at room temperature)	165	mW
Thermal resistance (Rated current = 20mA, Ts = 25 °C)		
- Real Thermal Resistance	360	K/W
Junction / ambient, Rth JA real	130	K/W
Junction / solder point, Rth JS real		
(Mounting on DOMINANT standard PCB)		

DFZB-HZKG Color Grouping *Appx. 2.1*



Bin		1	2	3	4
1J	Cx	0.1784	0.1842	0.1802	0.1745
	Cy	0.2122	0.2116	0.1959	0.1964
1K	Cx	0.1696	0.1784	0.1745	0.1657
	Cy	0.2132	0.2122	0.1964	0.1974
1L	Cx	0.1637	0.1696	0.1657	0.1597
	Cy	0.2139	0.2132	0.1974	0.1982
2J	Cx	0.1784	0.1842	0.1882	0.1823
	Cy	0.2122	0.2116	0.2273	0.2280
2K	Cx	0.1696	0.1784	0.1823	0.1735
	Cy	0.2132	0.2122	0.2280	0.2290
2L	Cx	0.1637	0.1696	0.1735	0.1677
	Cy	0.2139	0.2132	0.2289	0.2296
3J	Cx	0.1862	0.1823	0.1881	0.1921
	Cy	0.2437	0.2280	0.2273	0.2431
3K	Cx	0.1774	0.1735	0.1823	0.1862
	Cy	0.2447	0.2289	0.2280	0.2437
3L	Cx	0.1716	0.1676	0.1735	0.1774
	Cy	0.2454	0.2296	0.2289	0.2447

Bin		1	2	3	4
4J	Cx	0.1902	0.1862	0.1921	0.1960
	Cy	0.2595	0.2437	0.2431	0.2588
4K	Cx	0.1814	0.1775	0.1862	0.1902
	Cy	0.2605	0.2447	0.2437	0.2595
4L	Cx	0.1756	0.1716	0.1775	0.1814
	Cy	0.2611	0.2454	0.2447	0.2605
5J	Cx	0.1941	0.1902	0.1960	0.2000
	Cy	0.2753	0.2595	0.2588	0.2746
5K	Cx	0.1853	0.1814	0.1902	0.1941
	Cy	0.2762	0.2605	0.2595	0.2753
5L	Cx	0.1795	0.1756	0.1814	0.1853
	Cy	0.2769	0.2611	0.2605	0.2762
6J	Cx	0.1980	0.1941	0.2000	0.2039
	Cy	0.2910	0.2753	0.2746	0.2904
6K	Cx	0.1893	0.1853	0.1941	0.1980
	Cy	0.2920	0.2762	0.2753	0.2910
6L	Cx	0.1830	0.1795	0.1853	0.1893
	Cy	0.2930	0.2769	0.2762	0.2920
7J	Cx	0.2020	0.1980	0.2039	0.2078
	Cy	0.3070	0.2910	0.2904	0.3060
7K	Cx	0.1930	0.1893	0.1980	0.2020
	Cy	0.3080	0.2920	0.2910	0.3070
7L	Cx	0.1870	0.1830	0.1893	0.1930
	Cy	0.3080	0.2930	0.2920	0.3080
8J	Cx	0.2059	0.2020	0.2078	0.2118
	Cy	0.3225	0.3068	0.3061	0.3219
8K	Cx	0.1970	0.1930	0.2020	0.2059
	Cy	0.3240	0.3080	0.3070	0.3225
8L	Cx	0.1910	0.1870	0.1930	0.1970
	Cy	0.3240	0.3080	0.3080	0.3240

InGaN wavelength is very sensitive to drive current. Operating at lower current is not recommended and may yield unpredictable performance. Current pulsing should be used for dimming purposes.

Luminous Intensity Group at Tj=25°C

Brightness Group	Luminous Intensity <small>Appx. 1.1</small> IV (mcd)
V1	715.0 ... 900.0
V2	900.0 ... 1125.0
W1	1125.0 ... 1400.0
W2	1400.0 ... 1800.0

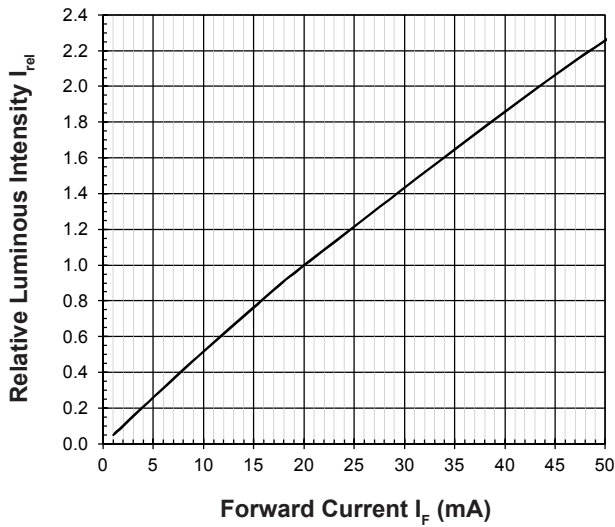
Vf Bining (Optional)

Vf @ If = 20mA	Forward Voltage (V) <small>Appx. 3.1</small>
VM6	2.70 ... 3.00
VM7	3.00 ... 3.30

Please consult sales and marketing for special part number to incorporate Vf binning.

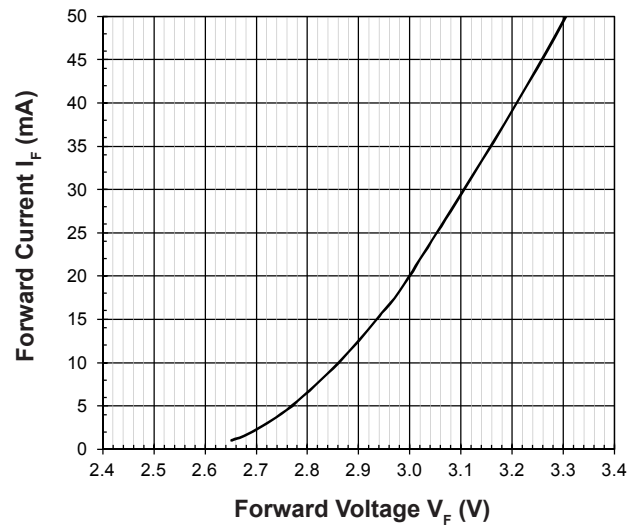
Relative Luminous Intensity Vs Forward Current

$I_v/I_v(20\text{mA}) = f(I_F); T_j = 25^\circ\text{C}$



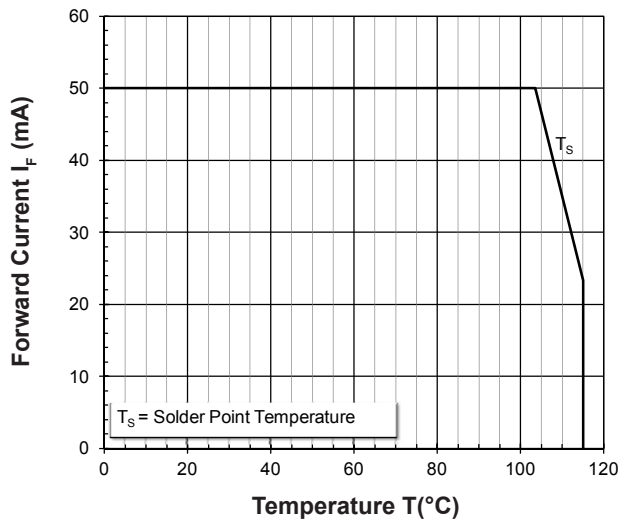
Forward Current Vs Forward Voltage

$I_F = f(V_F); T_j = 25^\circ\text{C}$



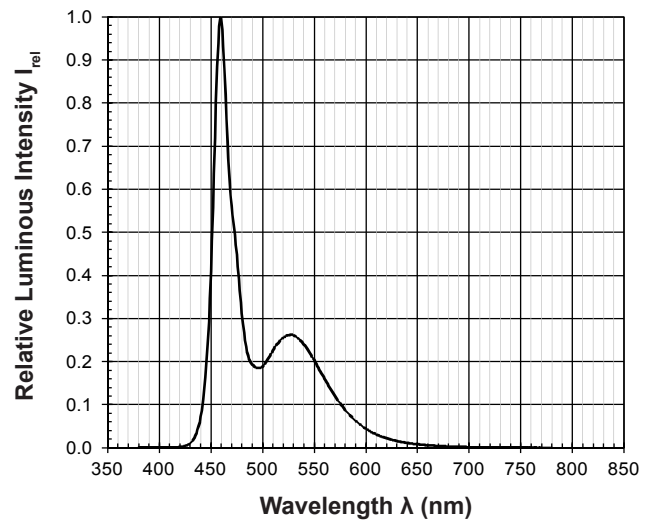
Maximum Current Vs Temperature

$I_F = f(T)$



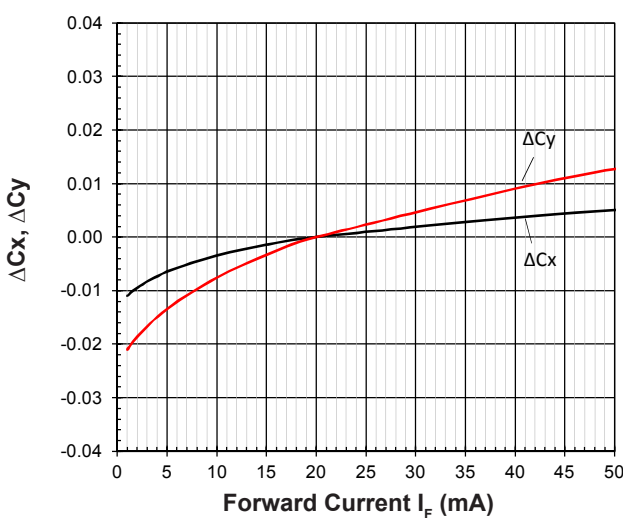
Relative Spectral Emission

$I_{rel} = f(\lambda); T_j = 25^\circ\text{C}; I_F = 20\text{mA}$



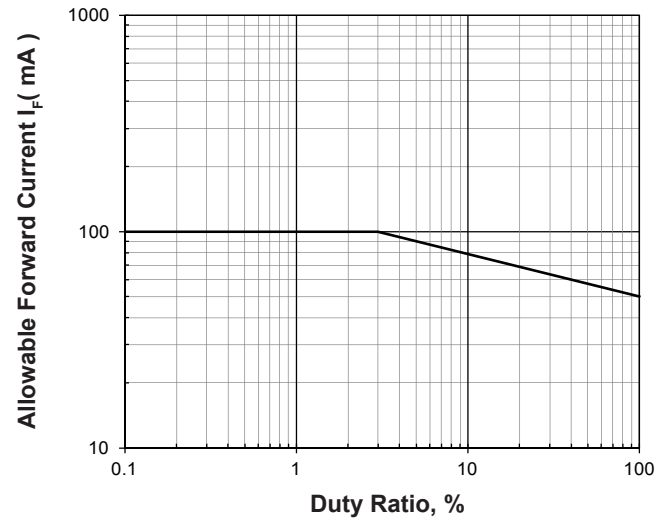
Chromaticity Coordinate Shift Vs Forward Current

$\Delta Cx, \Delta Cy = f(I_F); T_j = 25^\circ\text{C}$

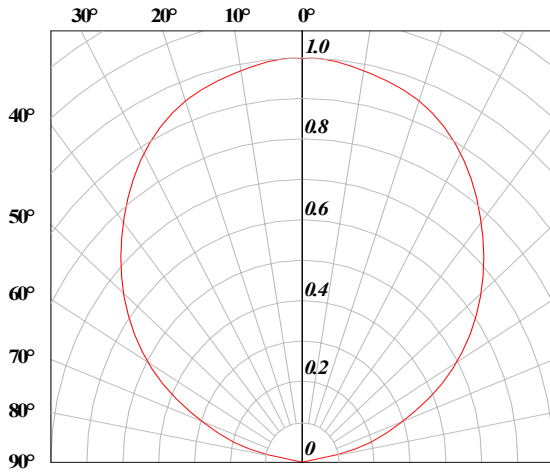


Allowable Forward Current Vs Duty Ratio

$(T_s = 55^\circ\text{C}; t_p \le 100\mu\text{s})$

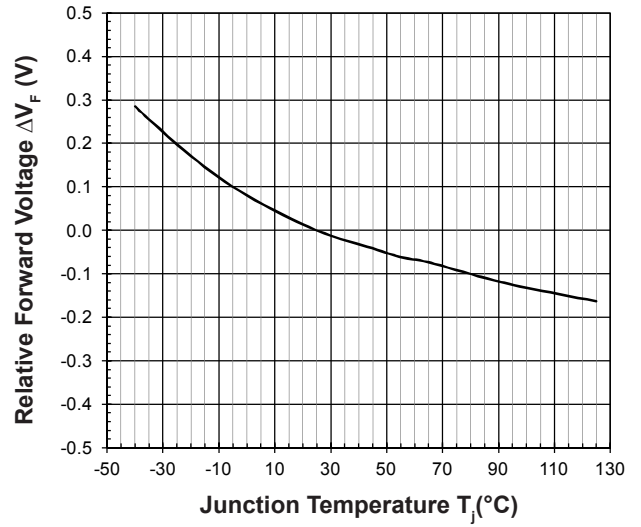


Radiation Pattern



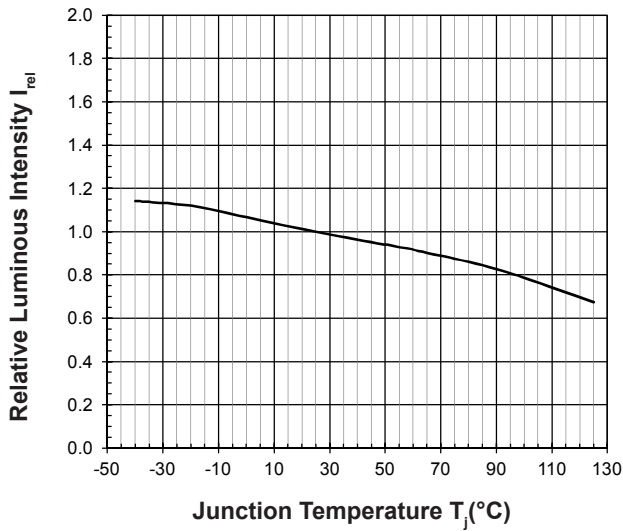
Relative Forward Voltage Vs Junction Temperature

$$\Delta V_F = V_F - V_F(25^\circ\text{C}) = f(T_j); I_F = 20\text{mA}$$



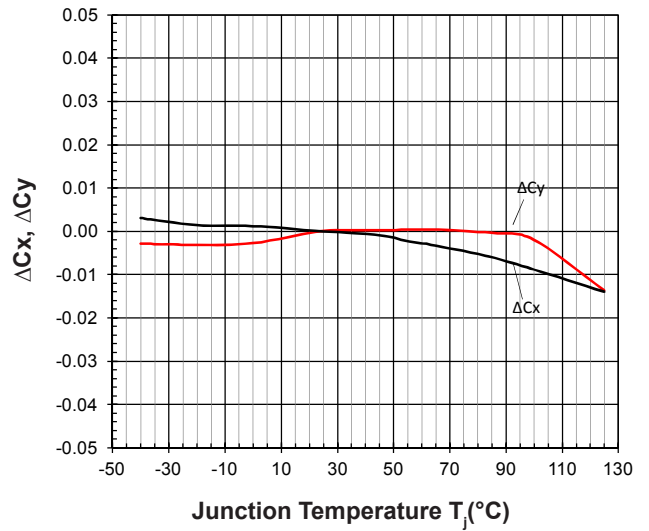
Relative Luminous Intensity Vs Junction Temperature

$$I_v/I_v(25^\circ\text{C}) = f(T_j); I_F = 20\text{mA}$$

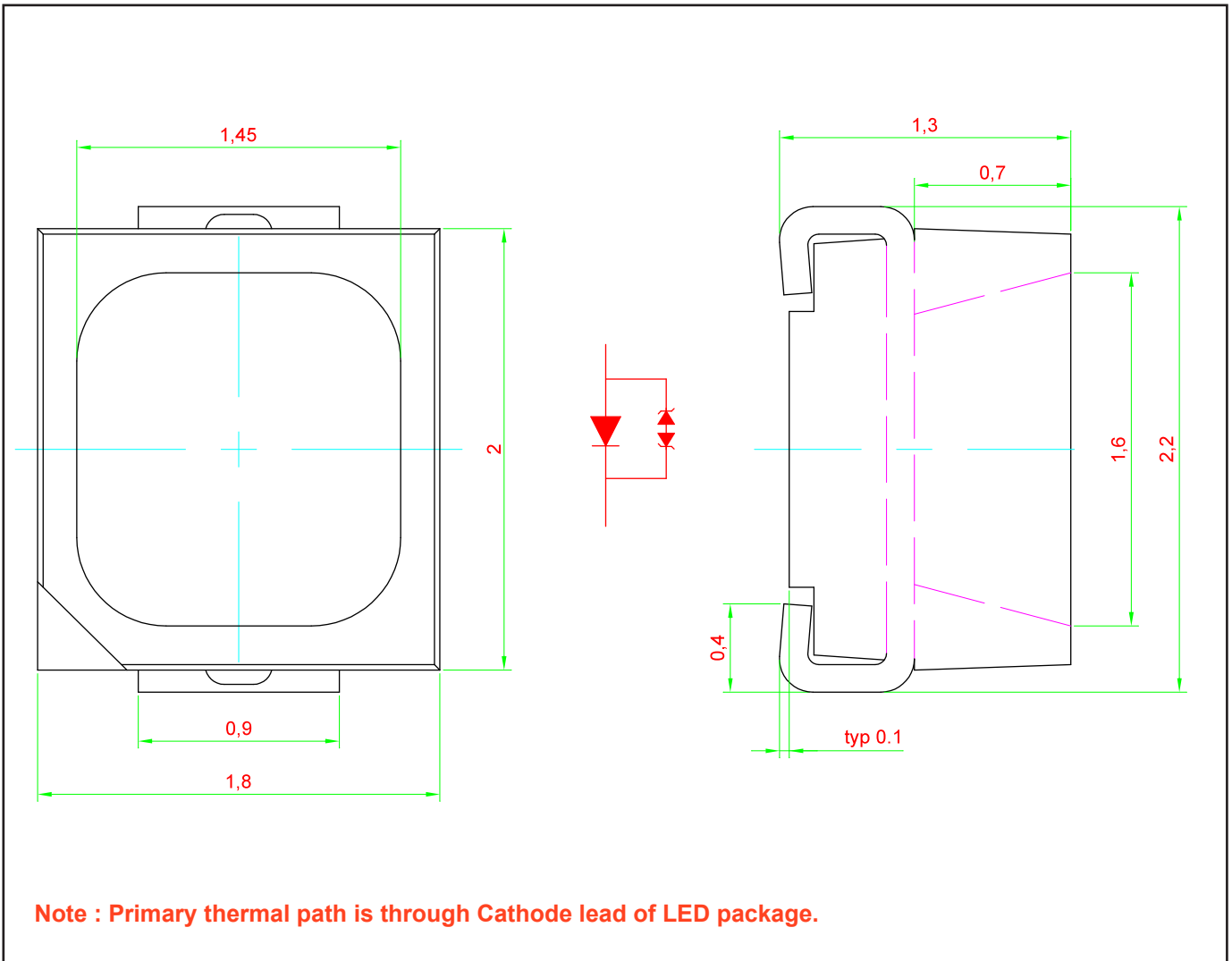


Chromaticity Coordinate Shift Vs Junction Temperature

$$\Delta C_x, \Delta C_y = f(T_j); I_F = 20\text{mA}$$



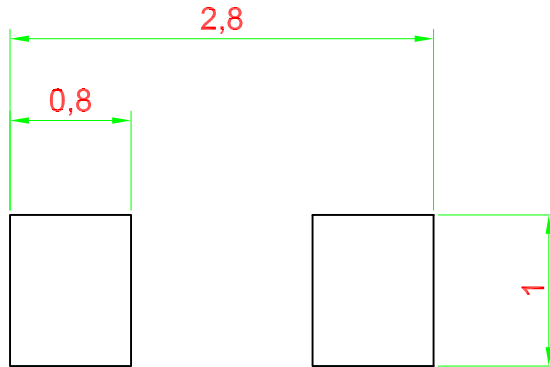
MiniPlus DomiLED • InGaN : DFZB-HZKG Package Outlines



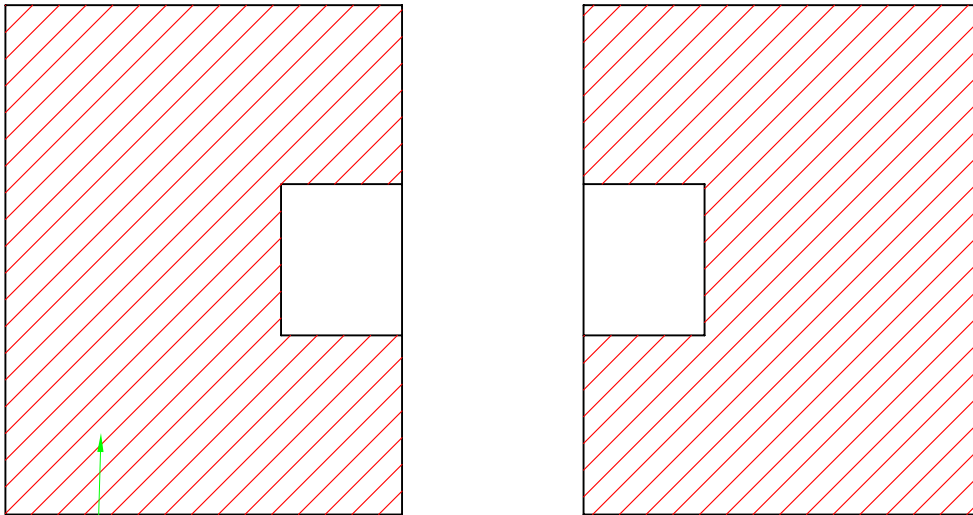
Material

	Material
Lead-frame	Cu Alloy With Au Plating
Package	High Temperature Resistant Plastic, PPA
Encapsulant	Silicone Resin
Soldering Leads	Au Plating

Recommended Solder Pad



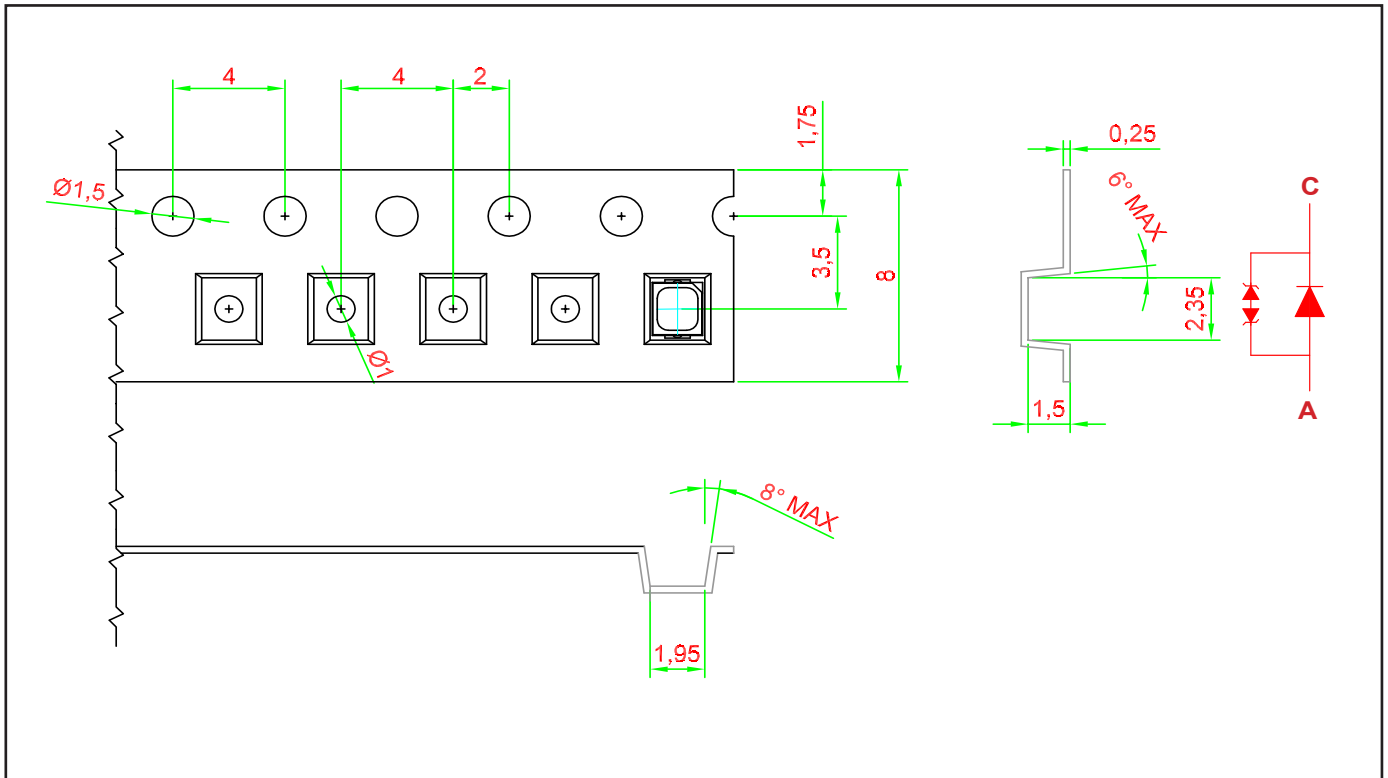
Improved Design For Better Heat Dissipation



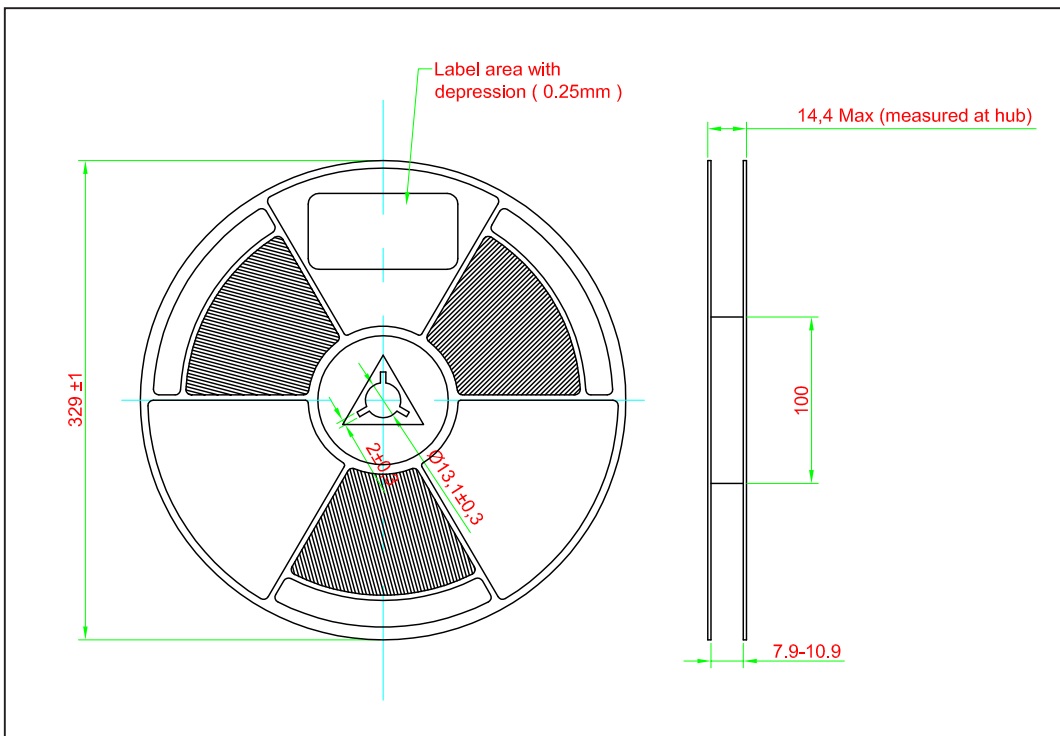
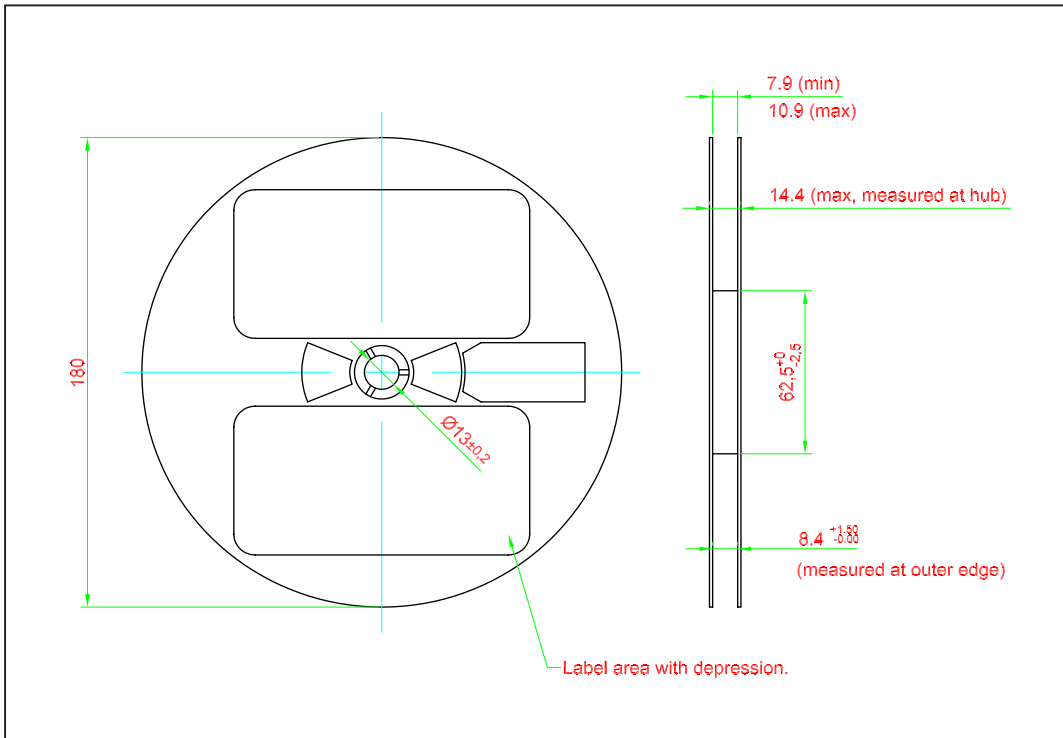
Additional Cu area for improved heat dissipation, > 16mm sq.

 Solder resist.

Taping and orientation

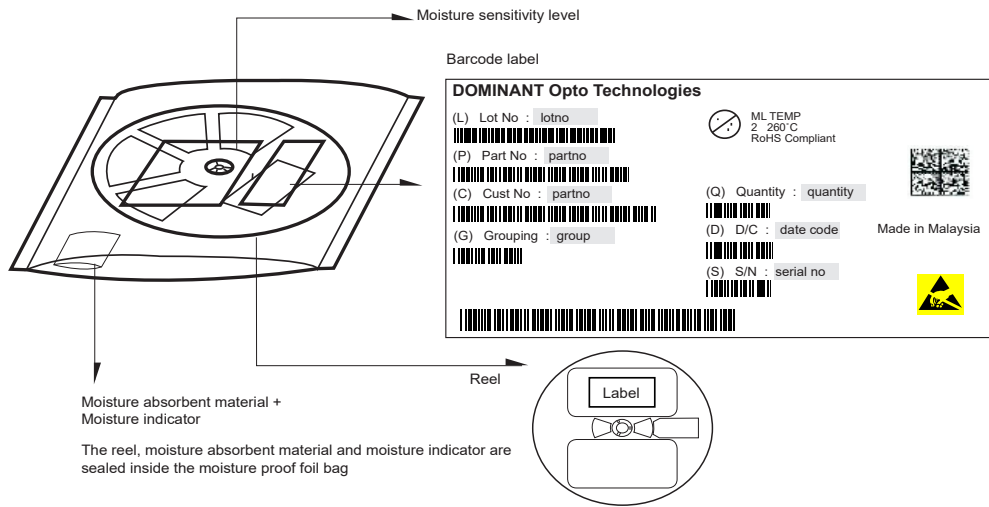


Packaging Specification

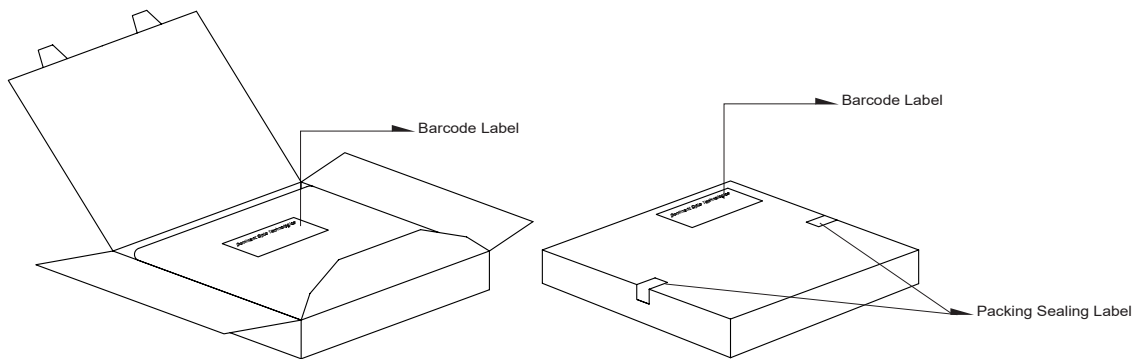


	Reel Diameter (mm)	Quantity (pcs)	Partno
Standard Packing	180	3000	DFZB-HZKG-xxx-x
Optional Packing	329	12000	DFZB-HZKG-xxx-x-K

Packaging Specification



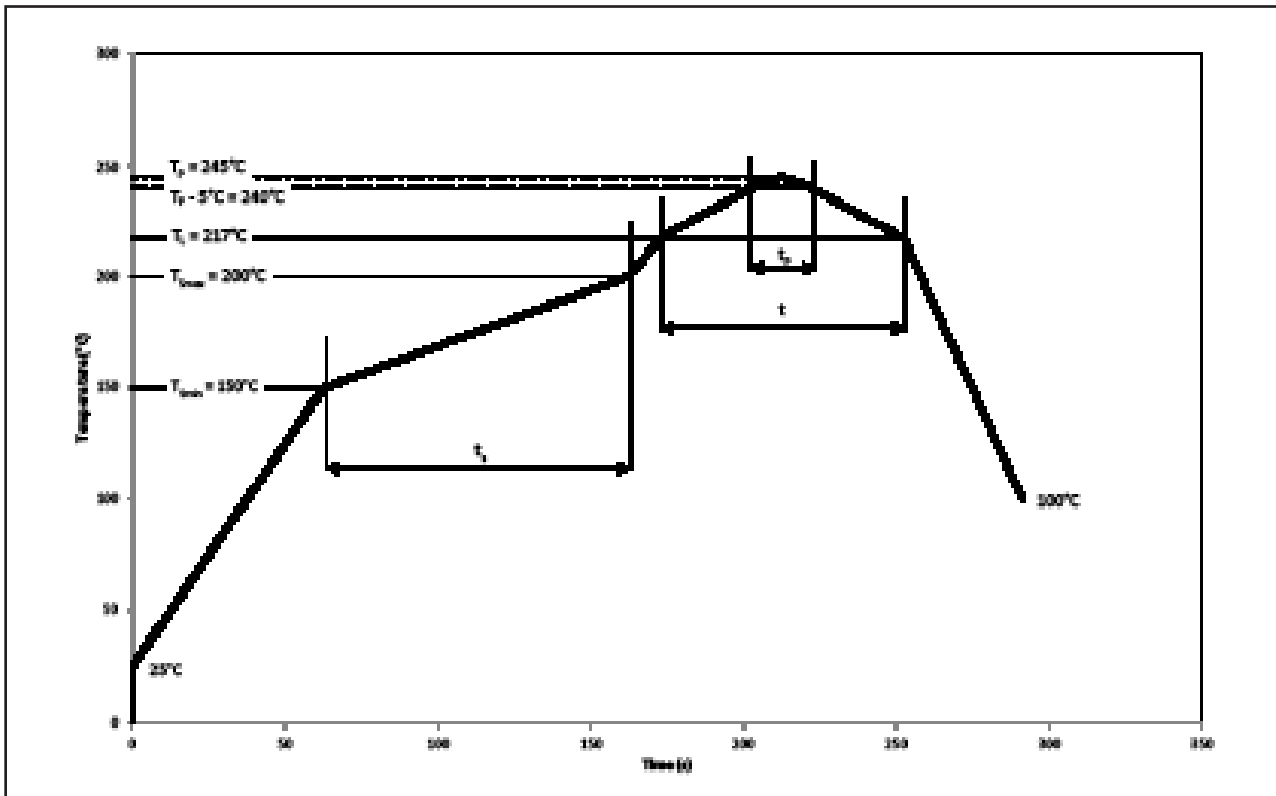
Quantity per bag (pcs)	Average 1pc MiniPlus DomiLED	1 completed bag (gram)
3000	0.008	203 ± 10
12000	0.008	555 ± 10



Reel Diameter (mm)	Packing Box Dimensions (mm)
180	210 x 210 x 16
329	345 x 345 x 16

Recommended Pb-free Soldering Profile

Product complies to MSL Level 2 acc. to JEDEC J-STD-020E



Profile Feature	Symbol	Pb-Free Assembly			Unit
		Min.	Recommended	Max.	
Ramp-up rate to preheat 25°C to T_{smin}	-	-	2	3	°C/s
Time t_s T_{smin} to T_{smax}	t_s	60	100	120	s
Ramp-up rate to peak T_L to T_p	-	-	2	3	°C/s
Liquidous temperature	T_L	-	217	-	°C
Time above liquidous temperature	t	60	80	150	s
Peak temperature	T_p	-	245	260	°C
Time within 5°C of the specified peak temperature $T_p - 5^\circ\text{C}$	T_p	10	20	30	s
Ramp-down rate T_p to 100°C	-	-	3	6	°C/s
Time 25°C to T_p	-	-	-	480	s

Appendix

1) **Brightness:**

- 1.1 Luminous intensity is measured at current pulse 25 ms(typ) with an internal reproducibility of $\pm 8\%$ and an expanded uncertainty of $\pm 11\%$ (according to GUM with a coverage factor of $k=3$).
- 1.2 Luminous flux is measured at current pulse 25 ms(typ) with an internal reproducibility of $\pm 8\%$ and an expanded uncertainty of $\pm 11\%$ (according to GUM with a coverage factor of $k=3$).
- 1.3 Radiant intensity is measured at current pulse 25 ms(typ) with an internal reproducibility of $\pm 8\%$ and an expanded uncertainty of $\pm 11\%$ (according to GUM with a coverage factor of $k=3$).
- 1.4 Radiant flux is measured at current pulse 25 ms(typ) with an internal reproducibility of $\pm 8\%$ and an expanded uncertainty of $\pm 11\%$ (according to GUM with a coverage factor of $k=3$).

2) **Color:**

- 2.1 Chromaticity coordinate groups are measured at current pulse 25 ms(typ) with an internal reproducibility of ± 0.005 and an expanded uncertainty of ± 0.01 (accordingly to GUM with a coverage factor of $k=3$).
- 2.2 Dominant wavelength is measured at current pulse 25 ms(typ) with an internal reproducibility of $\pm 0.5\text{nm}$ and an expanded uncertainty of $\pm 1\text{nm}$ (accordingly to GUM with a coverage factor of $k=3$).

3) **Voltage:**

- 3.1 Forward Voltage, V_f is measured when a current pulse of 8 ms(typ) with an internal reproducibility of $\pm 0.05\text{V}$ and an expanded uncertainty of $\pm 0.1\text{V}$ (accordingly to GUM with a coverage factor of $k=3$).

4) **Typical Values:**

- 4.1 At special conditions of LED manufacturing processes, typical data or calculated correlations of technical parameters only reflect the statistical figures. But not necessarily correspond to the actual parameters of each single product, which could differ from the typical data or calculated correlations or the typical characteristic line. These typical data may change whenever technical improvements happen.

5) **Tolerance of Measure**

- 5.1 Unless otherwise noted in drawing, tolerances are specified with ± 0.1 and dimension are specific in mm.

Revision History

Page	Subjects	Date of Modification
-	Initial Release	18 May 2020
1, 11, 12, 13, 14	Update Application Add in Bigger Reel Option Update Recommended Pb-free Soldering Profile	19 Mar 2021
8, 10	Update Package Outline Update Polarity for Taping & Orientation	24 Sep 2021

NOTE

All the information contained in this document is considered to be reliable at the time of publishing. However, DOMINANT Opto Technologies does not assume any liability arising out of the application or use of any product described herein.

DOMINANT Opto Technologies reserves the right to make changes to any products in order to improve reliability, function or design.

DOMINANT Opto Technologies products are not authorized for use as critical components in life support devices or systems without the express written approval from the Managing Director of DOMINANT Opto Technologies.

About Us

DOMINANT Opto Technologies is a dynamic company that is amongst the world's leading automotive LED manufacturers. With an extensive industry experience and relentless pursuit of innovation, DOMINANT's state-of-art manufacturing and development capabilities have become a trusted and reliable brand across the globe. More information about DOMINANT Opto Technologies, an IATF 16949 and ISO 14001 certified company, can be found under <http://www.dominant-semi.com>.

Please contact us for more information:

DOMINANT Opto Technologies Sdn. Bhd
Lot 6, Batu Berendam, FTZ Phase III, 75350 Melaka, Malaysia.
Tel: +606 283 3566 Fax: +606 283 0566
E-mail: sales@dominant-semi.com